

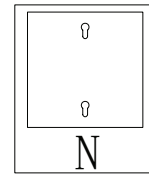
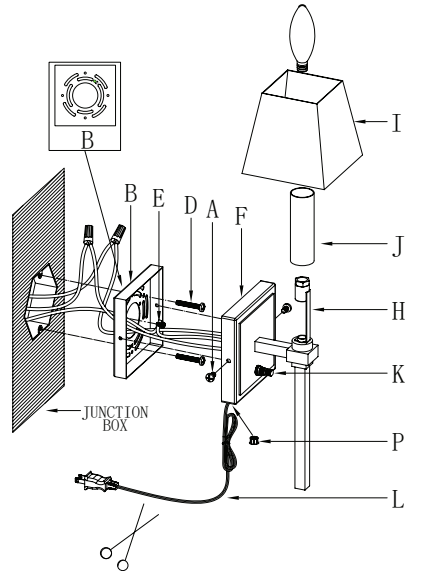
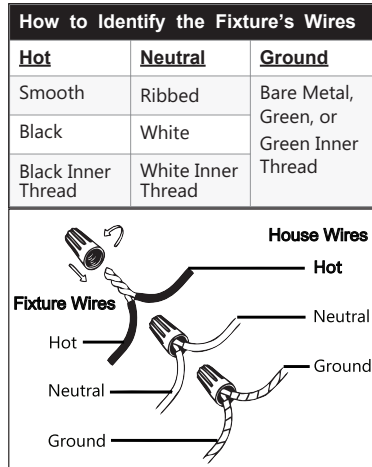
Assembly Instructions: 5905-1W

IMPORTANT:

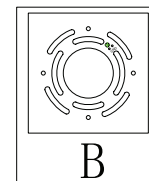
- ALL INSTALLATION WORK SHOULD BE DONE BY ACCREDITED PROFESSIONAL.
- SHUT OFF POWER SUPPLY AT FUSE OR CIRCUIT BREAKER!
- USE ONLY THE SPECIFIED BULBS. DO NOT EXCEED THE MAXIMUM WATTAGE!

For Customer Service, please contact the place of purchase.

To Install Over an Existing Junction Box and Hardwire the Fixture... *This fixture has multiple installation options. Before beginning, please review these instructions carefully.*



The fixture includes mounting plate (N) and mounting bracket (B). **This installation uses mounting bracket (B).**



PREPARING FOR INSTALLATION

Remove all of the contents from the carton. See the important notes above. Remove the old fixture from the wall, including the old mounting bracket.

1. Mounting plate (N) is attached to backplate (F). To begin, remove mounting plate (N) from backplate (F). Place mounting bracket (B) up against your junction box. Position the mounting bracket so that the holes on the side are level and parallel with the floor.
2. Leaving at least 8 to 10 inches of cord for wiring, use a pair of wire cutters to trim the plug from cord (L). Pull the cord up through the hole in the bottom of backplate (F) and plug the hole with stopper (P).
3. Pull the house wires from the junction box through the center of mounting bracket (B). Secure mounting bracket (B) to the junction box with mounting screws (D) and a screwdriver. Tighten the screws securely.

CONNECTING THE WIRES

4. Strip the plastic cover from 1-2 inches of cord (L). The fixture's ground wire should be wrapped inside of the backplate (F). Unwrap the ground wire. Attach the fixture's wires to the house wires pulled earlier from the junction box. Connect Hot to Hot (black wire, transparent wire with black inner thread, or smooth wire), Neutral to Neutral (white wire, transparent wire with white inner thread, or the ribbed wire), and Ground to Ground (green wire, transparent wire with green inner thread, or the copper wire). Twist the ends of each wire pair together. Secure each connection with a wire connector (usually orange). Make sure all twists are in the same direction. If there is no house ground wire coming from the junction box, please locate ground screw (E) on the mounting strap (B) and wrap the fixture's ground wire around ground screw (E). Use a screwdriver to tighten the top of ground screw (E) onto the wires and into the mounting bracket/mounting bracket. Tuck the wires into the junction box.

FINISHING THE INSTALLATION

5. Place backplate (F) over mounting bracket (B). Insert small screws (A) into the side holes in backplate (F) to secure it to mounting bracket (B).
6. Slide shade (I) over candle sleeve (J) into socket clip (H).

Install a light bulb (not included) in accordance with the fixture's specifications. Do not exceed the maximum recommended wattage.

Your installation is now complete. Turn on the power and test the fixture.

Twist knob (K) clockwise to turn on the fixture. To power the fixture off, twist the knob (K) counterclockwise.

CLEANING TIPS

Treat the fixture gently! Regular cleaning will reduce the need for deep cleaning. For regular cleaning, turn off the light and wipe down the fixture with a clean lint-free cotton or microfiber cloth. Never spray cleaner directly onto the fixture.



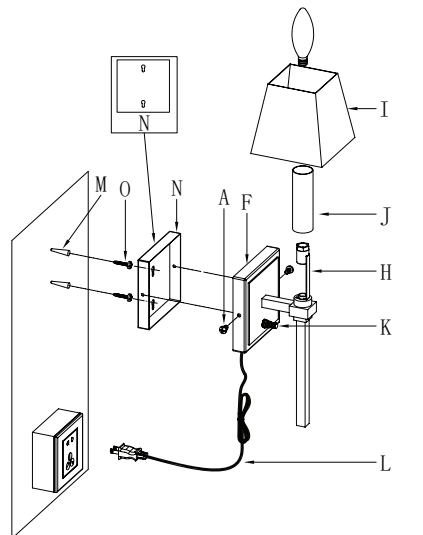
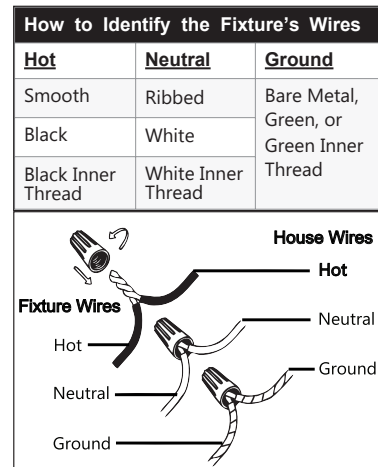
Assembly Instructions: 5905-1W

IMPORTANT:

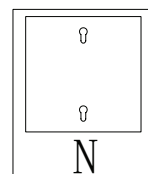
- ALL INSTALLATION WORK SHOULD BE DONE BY ACCREDITED PROFESSIONAL.
- SHUT OFF POWER SUPPLY AT FUSE OR CIRCUIT BREAKER!
- USE ONLY THE SPECIFIED BULBS. DO NOT EXCEED THE MAXIMUM WATTAGE!

For Customer Service, please contact the place of purchase.

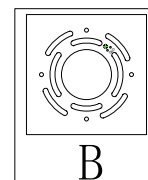
To Install on a Wall and Power the Fixture Using the Plug...



This fixture has multiple installation options. Before beginning, please review these instructions carefully.



The fixture includes mounting plate (N) and mounting bracket (B). **This installation uses mounting bracket (N).**



PREPARING FOR INSTALLATION

Remove all of the contents from the carton. See the important notes above. Remove the old fixture from the wall, including the old mounting bracket.

1. Mounting plate (N) is attached to backplate (F) already by the factory. Remove mounting plate (N) from backplate (F). Hold the fixture up to the wall to test placement for backplate (F). After you determine the proper placement, hold mounting plate (N) up to the wall and check that the side holes are parallel and level to the floor. Use a pencil to mark the wall through the circular holes in mounting plate (N).
2. Use a drill bit to create two holes on your pencil marks and insert plastic screw holders/anchors (M) into the holes made until the plastic screw holders/anchors are flush with the wall. Align mounting plate (N) with the plastic screw holders/anchors (M). Using a drill or screwdriver, insert mounting screws (O) into the plastic screw holders/anchors (M) halfway. Do not insert the entire screw flush to the wall. Leave a few of the screw's threads outside of the wall for now.
3. The fixture's ground wire is wrapped inside of backplate (F). Leave the ground wire unattached and wrapped inside the backplate.
4. Reattach mounting plate (N) to backplate (F) by aligning the side holes on the mounting plate (N) to the backplate (F). Secure backplate (F) to mounting plate (N) using the small side screws (A).
5. Place the keyholes in mounting plate (N) (which is now reattached to backplate (F)) through the heads of the protruding mounting screws (O).
6. Slide shade (I) over candle sleeve (J) and onto socket clip (H).
7. Install a light bulb (not included) in accordance with the fixture's specifications. Do not exceed the maximum recommended wattage.
8. Plug cord (L) into the nearest outlet.
9. Twist knob (K) clockwise to power on the fixture. To turn the fixture off, twist in the opposite direction.

CLEANING TIPS

Treat the fixture gently! Regular cleaning will reduce the need for deep cleaning. For regular cleaning, turn off the light and wipe down the fixture with a clean lint-free cotton or microfiber cloth. Never spray cleaner directly onto the fixture.